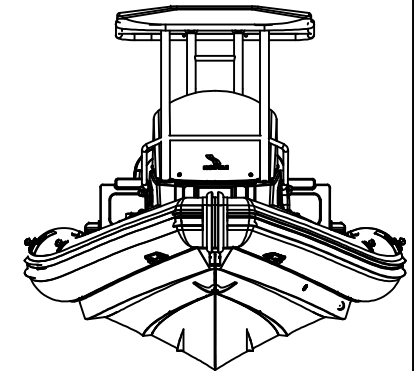
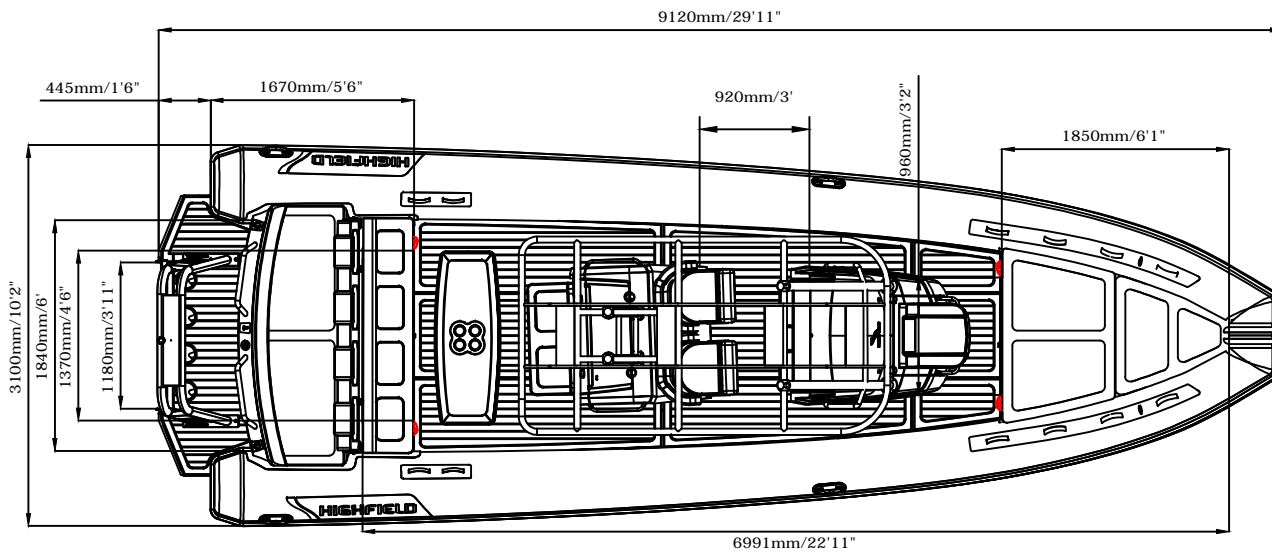
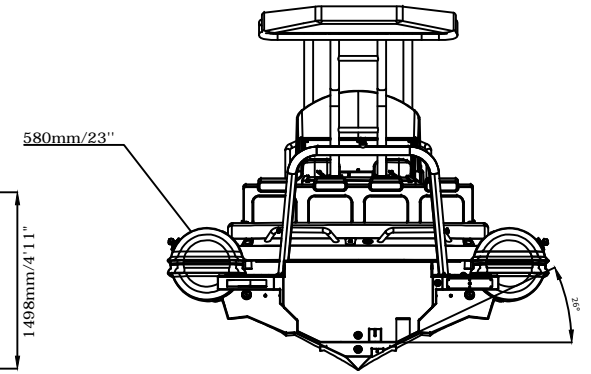
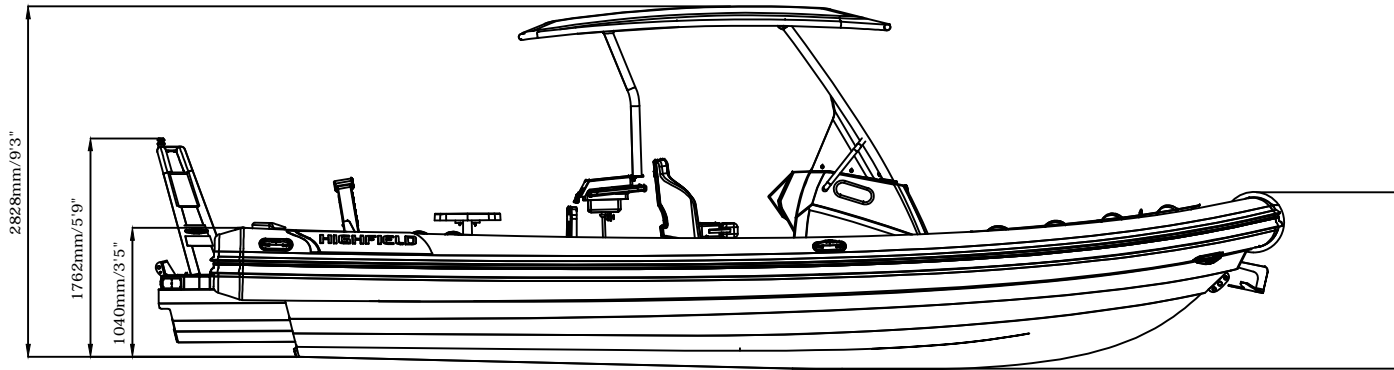


SPORT 900

SPECIFICATIONS



SPECIFICATIONS AND MAXIMUM CAPACITIES (Subject to change without notice. Tolerances: Dimensions ±2.5% Weight ±5%)

MODEL	ISO 6185 PART	ISO 6185	Person		#	Person		Shaft	Outboard Engine				Shower kit		Rollbar		Tow post		Fuel tank Capacity		Wet Weight (Approximate) 425HP (317.05KW) + Fuel		AIR CHAMBERS	Air Chambers			
			KG	LB		KG	LB		Max power	Max weight	KG	LB	KG	LB	KG	LB	KG	LB	KG	LB	KG	LB		PSI	BAR		
									KW	HP	KG	LB					L	GAL									
SPORT 900	4	B	1593	3512	15	1125	2480	UL	317.05	425	432	952	1780	3924	/	/	26	57	/	/	430	94	2520	5555	6	3.63	0.25

Boat weight includes: console ,seat